
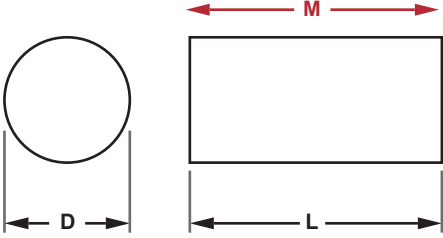

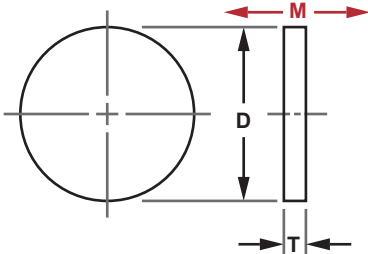

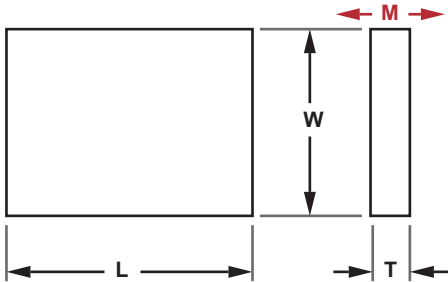

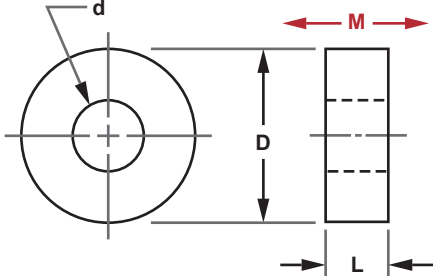


CERAMIC MAGNETS

Shown below are our most widely used shapes. They are available in different sizes and grades. Other shapes, grades and dimensional tolerances are available on request. [M] indicates direction of magnetization. Simply Print the table shown below, fill out the required information, and fax it to us along with your inquiry.

 <p>BAR</p>	
 <p>DISC</p>	
 <p>BLOCK</p>	
 <p>RING</p>	

Magnet Style	Grade	D	d	L	T	W